

Product Description

The PaxScan 4336R is the first ruggedized portable X-ray flat panel detector designed for mobile digital radiographic X-ray systems to fit existing 14"x17" standard bucky trays. Based upon the new Gigabit Ethernet interface, images are displayed on a user-supplied workstation.

Technical Specifications

Receptor Type
Amorphous Silicon with Charge Well Pixel™ Technology

Conversion Screen Detached CsI, DRZ Plus, or Gd²O₂S: Tb
(Kodak Lanex Screen)

Pixel Area Total 42.7 (h) x 35.6 (v) cm (16.8 x 14.0 inch)
Active 42.4 (h) x 35.3 (v) cm (16.7 x 13.9 inch)

Pixel Matrix Total 3,072 (h) x 2,560 (v)
Active 3,052 (h) x 2,540 (v)

Pixel Pitch 139 μm

Limiting Resolution 3.6 lp/mm

Energy Range Standard 40 - 150 kVp

Fill Factor 100%

Scan Method Progressive

A/D Conversion 14-bits

Image Preview 1 sec.

Cycle Time (minimum / standard) 8 / 10 sec.

Data Output Gigabit Ethernet

Exposure Control Inputs: Prepare, Expose-Request
Outputs: Expose-OK

Software

The software release includes ViVA™, a basic application for image acquisition and viewing on an end-user workstation or laptop running Microsoft® Windows™. The developer's software package includes a "Virtual Command Processor" software interface that performs detector calibration, detector set-up, image acquisition, and image corrections. ViVA™ includes file type translators for .viv, .raw, .jpg, and .bmp file formats. Windows® XP compatible.

Environmental

Shock High-shock tolerance

Water Water resistant

Temperature Range - Operating (at back cover) .. 10°C to 35°C (max.)
(Ambient) - Storage -20°C to +70°C

Humidity - Operating (non-condensing) 10 to 90%
Storage (non-condensing) 10 to 90%

Regulatory

U.S. UL 60601-1
Canada CSA 22.2 No. 601.1-M90

Mechanical

Size 18.1 (w) x 15.1 (l) x 0.6 (h) Inch
[46.0 (w) x 38.4 (l) x 1.5 (h) cm]

Weight 8.6 lbs. (3.9 kg)

Housing Material Aluminum

Sensor Protection Material Carbon fiber plate and aluminum

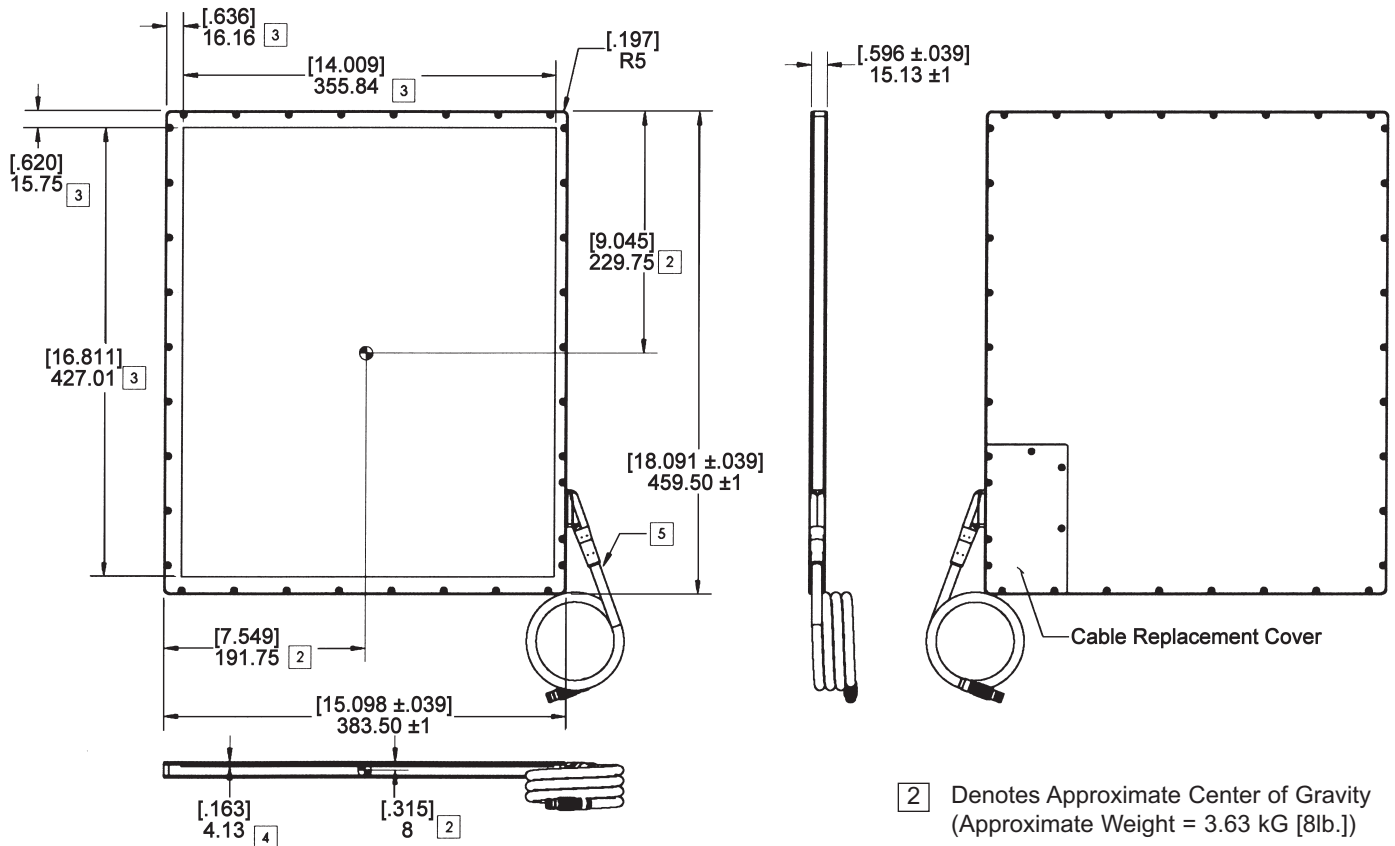
Power

Power Dissipation 30 watts (cont.)
35 watts (max.)

I/O Interface Box 100 - 240 VAC, 47 - 63 Hz
(Up to 9m away from panel)

Drawings are for reference only

Dimensions are in inches [MM]



- [2] Denotes Approximate Center of Gravity (Approximate Weight = 3.63 kG [8lb.])
- [3] Active Area Dimension
- [4] Top Surface of Active Area
- [5] Hybrid Cable (Approximate Ø 9.5MM)

VARIAN
medical systems

**X-RAY
PRODUCTS**

Salt Lake City, UT 1-801-972-5000

www.varian.com